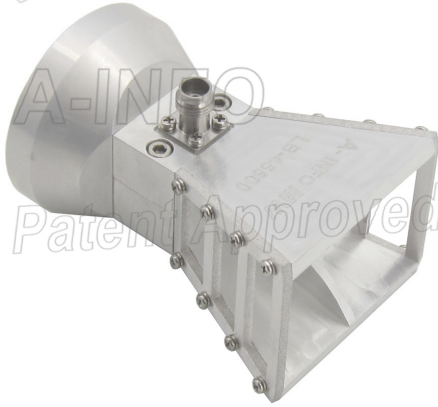


For reference only. See data sheet for the detailed specifications.

Technical Specification



Frequency Range(GHz)	4.5 – 50.0
Gain(dB)	13 Typ.
Polarization	Linear
3dB Beamwidth(deg)	E Plane: 116 - 12
	H Plane: 92 - 9
Cross Pol. Isolation(dB)	35 Typ.
VSWR	1.5:1 Typ.
	2.0:1 Max.
Connector	2.4mm-Female
Power Handling(W CW)	10 Max.
Material	Al
Finish	Chemical Conversion Coating
Size(mm)	65 x 43.8 x 41.3
Net Weight(Kg)	0.1 Around

PATENT ID (US)

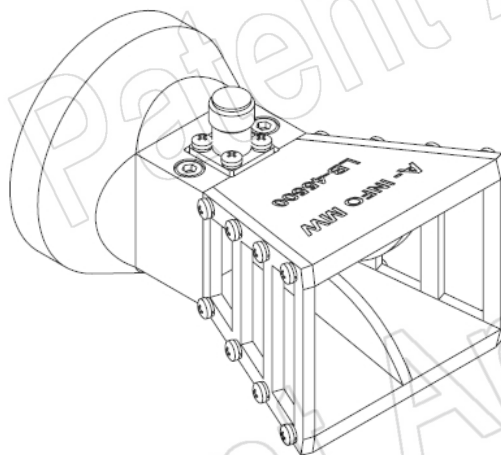
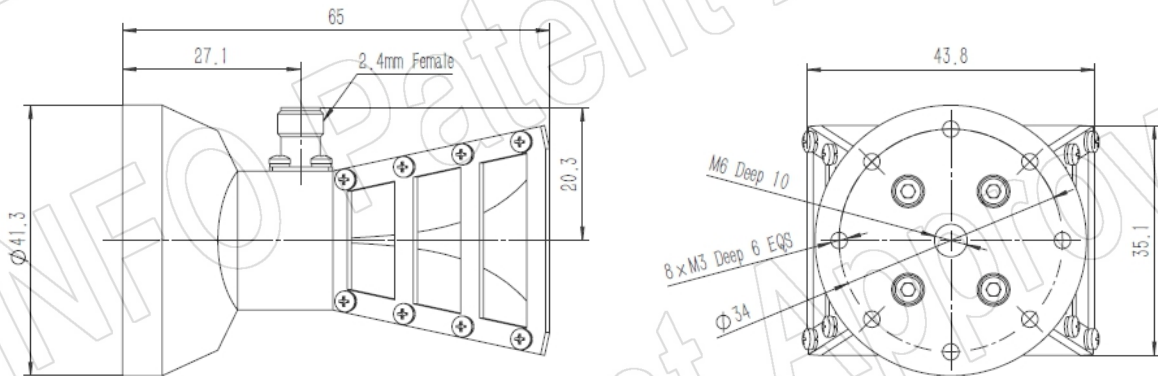
US D977465

PATENT ID (China)

ZL201921373034.X, ZL202030088181.4, ZL201930459257.7

Outline Drawing (Size: mm)

2.4mm-Female Output (P/N: LB-45500-2.4F)



AINFO Inc.

China(Beijing):
China(Chengdu):
USA :

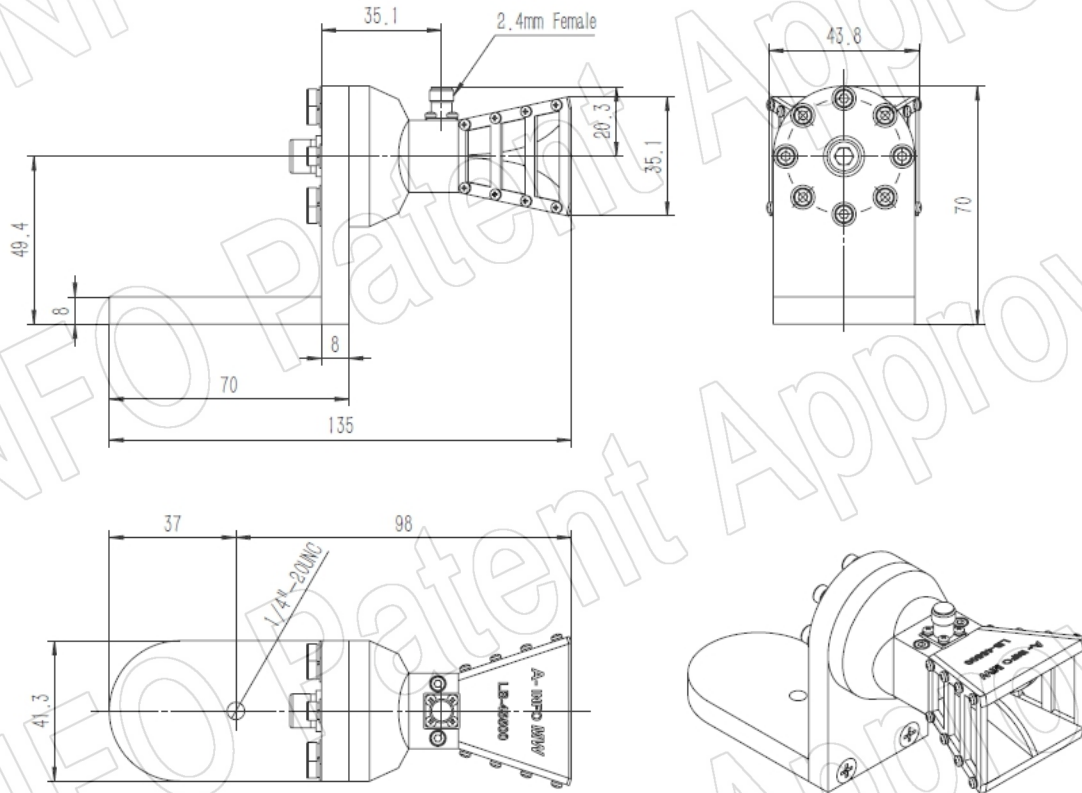
Tel: (+86) 10-6266-7326,
Tel: (+86) 28-8519-2786,
Tel: (+1) 949-639-9688,

(+86) 10-6266-7327
(+86) 28-8519-3044
(+1) 949-639-9608

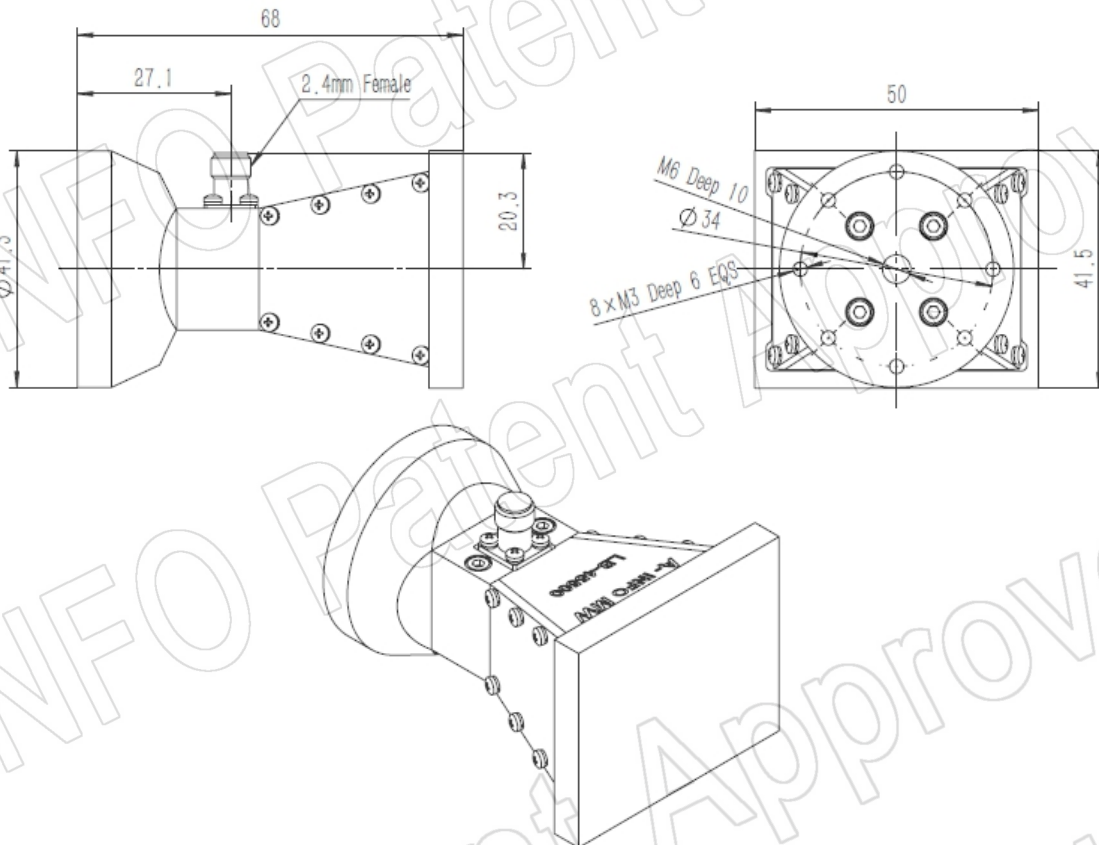
Fax: (+86) 10-6266-7379
Fax: (+86) 28-8519-3068
Fax: (+1) 949-639-9670

Website: www.ainfoinc.com
Email: sales@ainfoinc.com

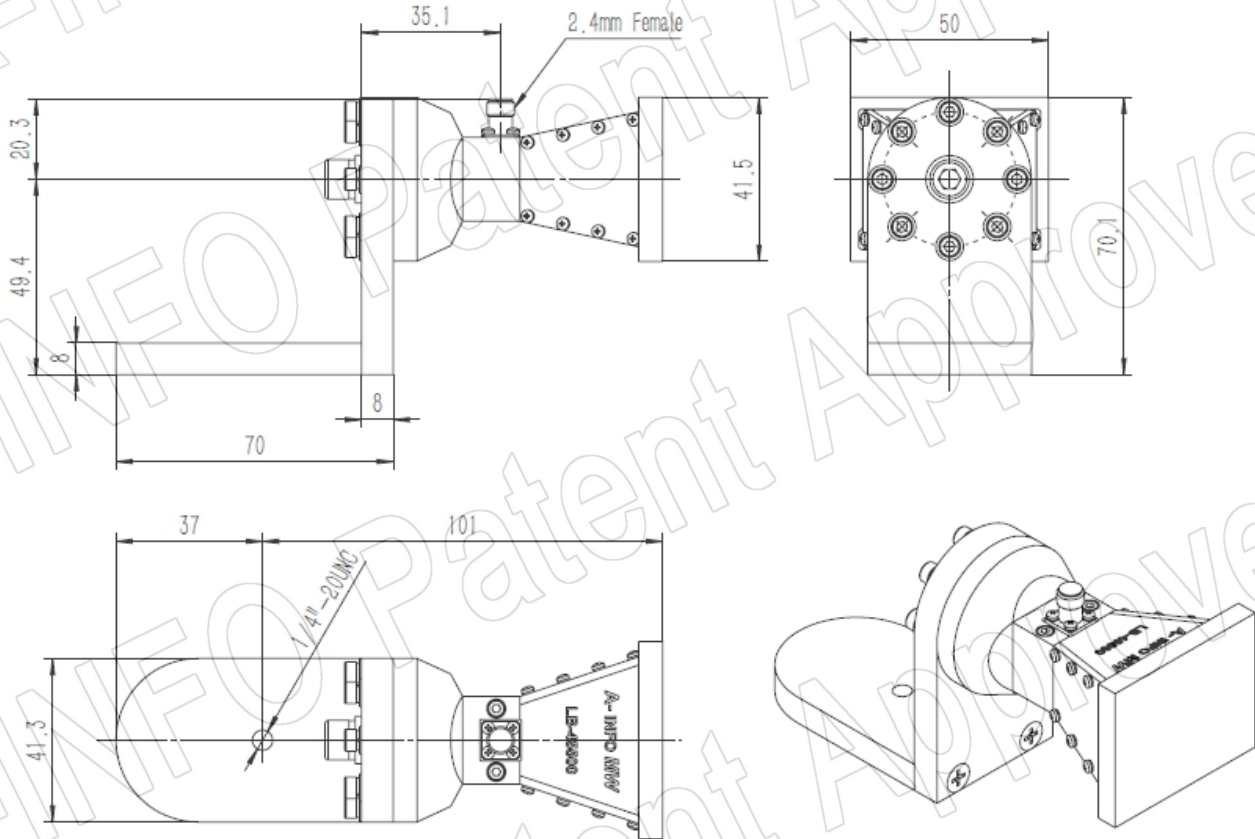
2.4mm-Female Output with L Type Mounting Bracket (Option, P/N: LB-20180-L)



2.4mm-Female Output with Radome (Option, P/N: LB-45500-2.4FSP0, Application Outdoor)

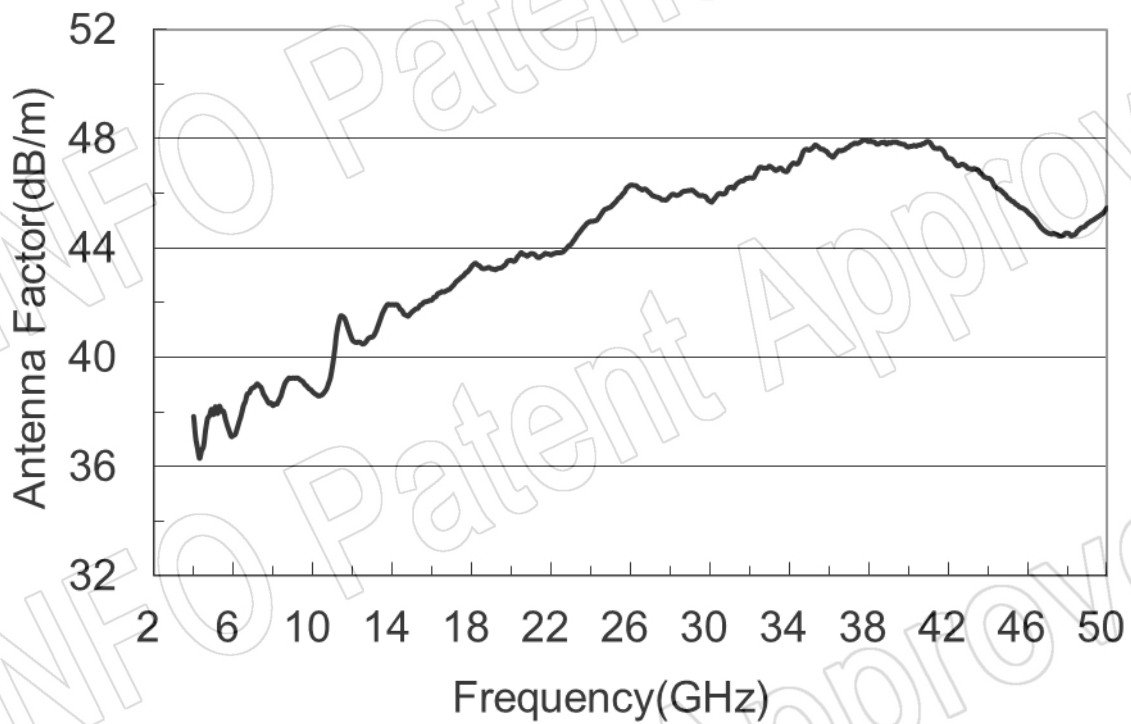
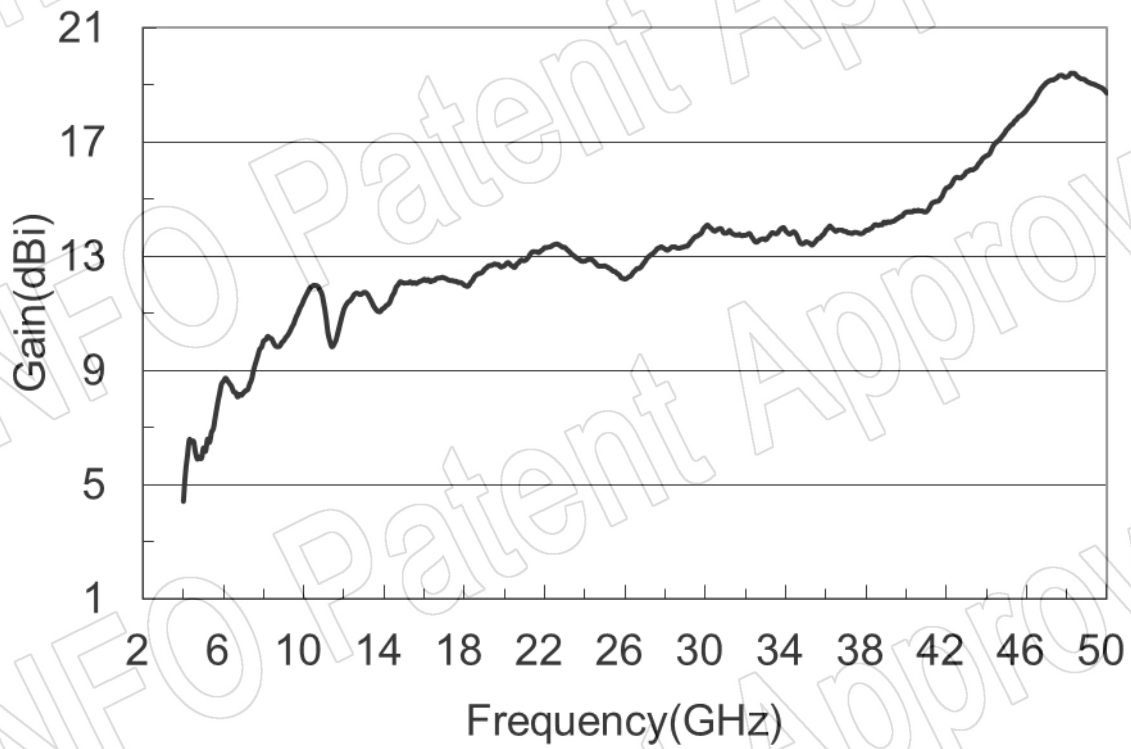


2.4mm-Female Output with L Type Mounting Bracket & Radome (Option, P/N: LB-20180-L & LB-45500-2.4FSPO, Application Outdoor)

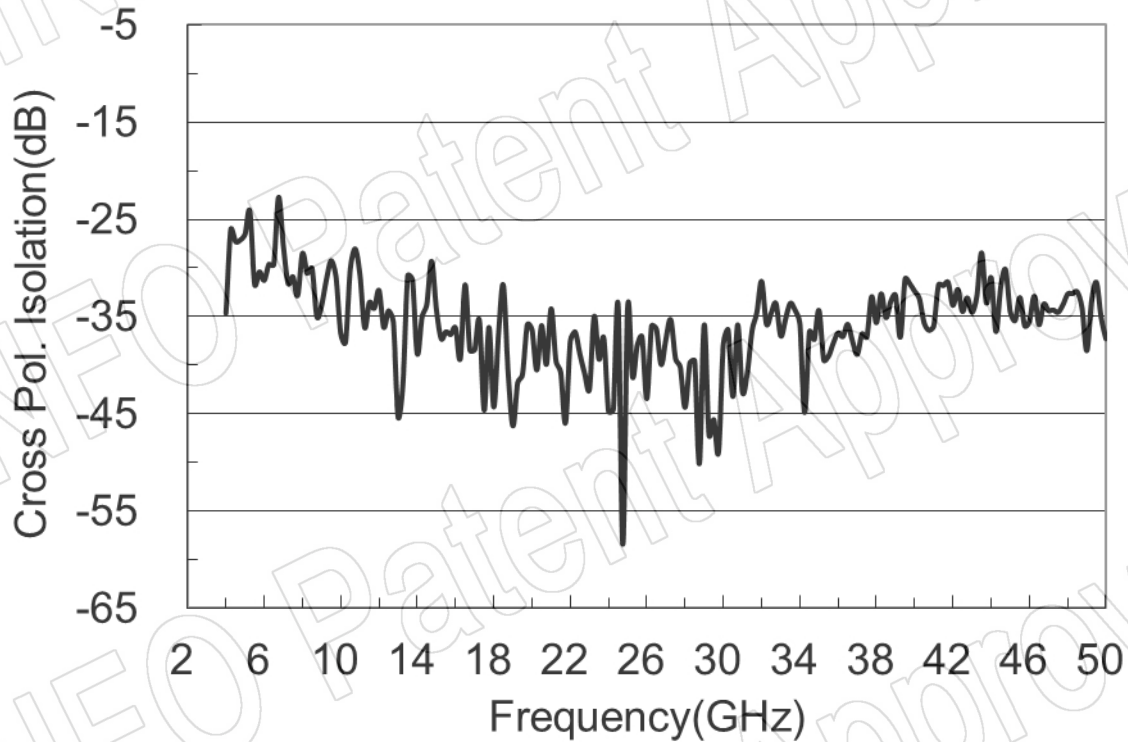


Test Results

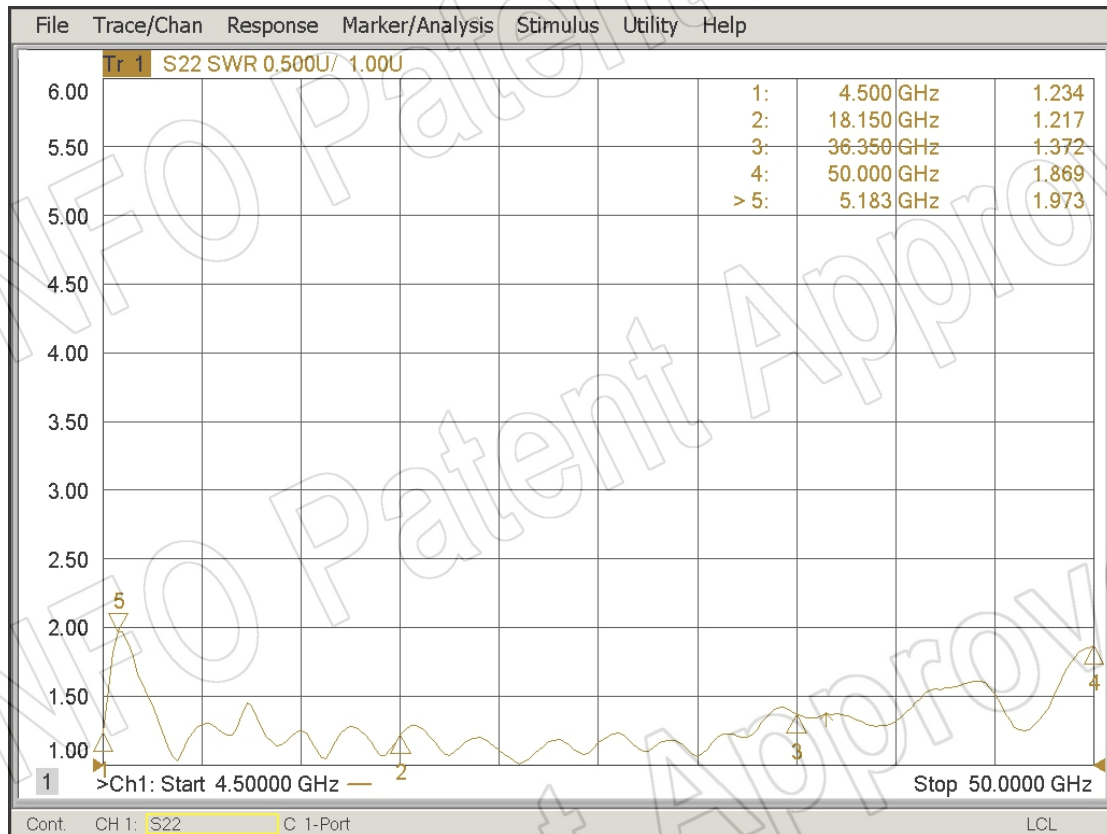
1. Gain & Antenna Factor



2. Cross Polarization Isolation



3. VSWR



4. Pattern

